

# V23

## 4-Channel 960H/D1 H.264 Video Encoder



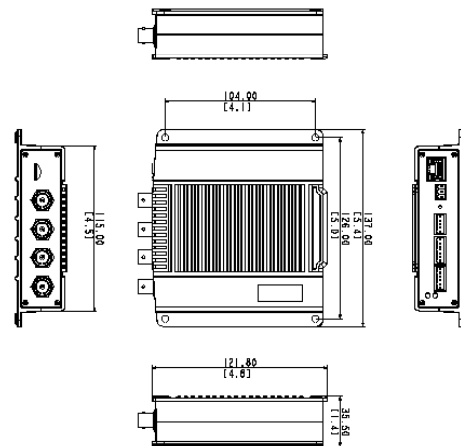
- 25/30 fps at full D1 resolution
- Selectable H.264 HP, MJPEG compressions
- Two-way audio
- Video motion detection
- Digital input and digital output
- Serial ports for PTZ control

### PHOTO INDICATION



- |                          |                        |
|--------------------------|------------------------|
| 1 Memory Card Slot       | 6 Audio Input / Output |
| 2 Analog Video Input     | 7 Serial Port          |
| 3 Power LED              | 8 Reset Button         |
| 4 Serial Port LED        | 9 DC 12V Power Input   |
| 5 Digital Input / Output | 10 Ethernet Port       |

### DIMENSION DIAGRAM



Unit: mm [inch]

## PRODUCT SPECIFICATION

## V23

## • Device

Device Type	Video Encoder
Number of Channels	4

## • PTZ

Protocol	Pelco-D, Pelco-P, Dynacolor
Control	Remotely manual control; 32 preset points

## • Video

Compression	H.264 HP, MJPEG
Max. Frame Rate vs. Resolution	30 fps at 960 x 480 (NTSC); 25 fps at 960 x 576 (PAL); 30 fps at 720 x 480 (Full D1, NTSC); 25 fps at 720 x 576 (Full D1, PAL)
Multi-Streaming	Simultaneous dual streams based on two configurations
Bit Rate	28 Kbps - 6 Mbps (per stream)
Bit Rate Mode	Constant, Variable
Image Enhancement	Brightness; Saturation; Contrast; Sharpness
Privacy Mask	4 regions
Text Overlay	User defined text on video
Image Orientation	Image flip; image mirror

## • Audio

Compression	8 kHz, Mono, PCM, 16 bit encoding, G.711
Audio-In	4, terminal block
Audio-Out	1, terminal block

## • Network

Protocol & Service	TCP, UDP, HTTP, HTTPS, DHCP, PPPoE, RTP, RTSP, IPv4, IPv6, DNS, DDNS, NTP, ICMP, ARP, IGMP, SMTP, FTP, UPnP, SNMP, Bonjour
Ethernet Port	1, Ethernet (10/100 Base-T), RJ-45 connector
Security	IP address filtering; HTTPS encryption; Password protected user levels; IEEE 802.1x network access control; Anonymous login

## • Alarm

Alarm Trigger	Video motion detection (3 regions); External device through digital input; Video loss; Video recovery; Scheduler; Storage removed; Failed to write storage; System is going to reboot; System booted successfully
Alarm Response	Notify control center; Go to PTZ preset point; Change image settings; Command other devices; E-mail notification with snapshots; Save video to local storage; Upload video or snapshot to FTP server; Activate external device through digital output; Change motion detection profile

## • Interface

Analog Video Input	4, CVBS, 1.0Vp-p with 75Ω BNC connector
Digital Input / Output	4 (configurable), terminal block
Serial Port	1, RS-485/RS-422, terminal block
Local Storage	MicroSDHC/MicroSDXC memory card slot (card not included)

## • General

Power Source / Consumption	PoE Class 3 (IEEE802.3af) / 3.84W DC 12V (DC 7V~20V, adapter not included) / 3.48W
Weight	462 g (1.021 lb)
Dimensions (W x H x D)	137 mm x 35.5 mm x 121.8 mm (5.4" x 1.4" x 4.8")
Operating Temperature	-10 °C ~ 50 °C (14 °F ~ 122 °F)
Operating Humidity	10% ~ 85% RH
Approvals	CE (EN 55022 Class B, EN 55024), FCC (Part15 Subpart B Class B)

## • Integration

Unified Solution	Fully compatible with ACTi software
ISV Integration	Software Development Kit (SDK) available; ONVIF compliant
Firmware Access Browser	Microsoft Internet Explorer 8.0 or newer (full functionality) Safari with QuickTime installed, and other browsers with VLC installed (partial functionality)

## • Remote Access

PC Web Browser	Microsoft Internet Explorer with live view, PTZ control and setup
Mobile Client Program	Mobile device application (Active Mobile Client) supports live view and PTZ control Supported devices: iPhone, iPad, iPod Touch and Android device

\* All specifications are subject to change without notice.

\* All brand names and registered trademarks are the property of their respective owners.